

TH

5,5.15 P

5,5.15

PRELIMINARY

- **Lowered design** for great stability
- Available with **Deutz Stage V and IIIA** engines
- Available in two engine sizes, 55 kW and 75 kW, to suit your needs
- Standard pivoting stabilisers for optimised lifting capacities up to 5.5 tonnes
- **350 bar L/S** hydraulic system
- **4WD**

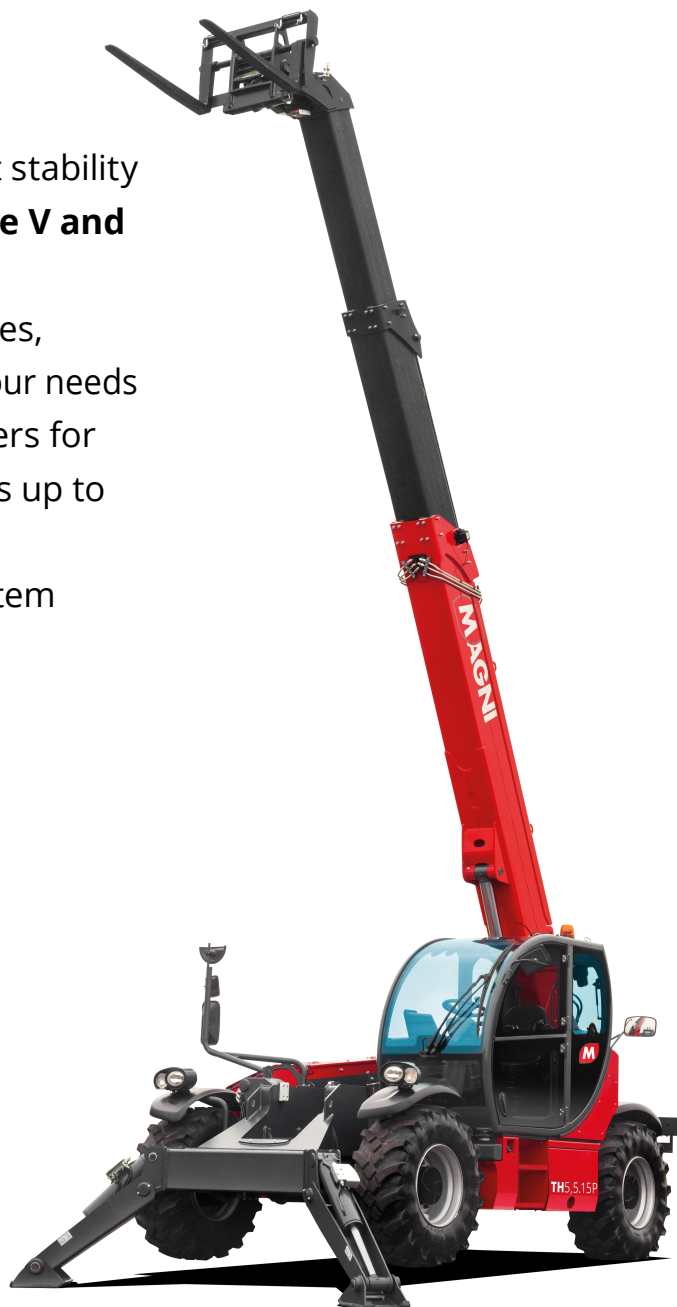
MAIN SECTORS



INDUSTRY

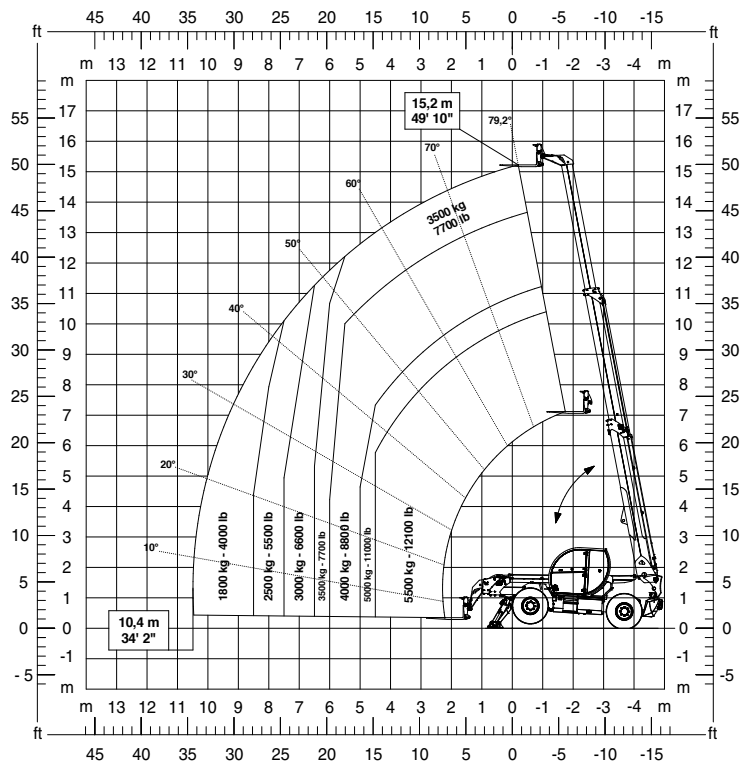


CONSTRUCTION



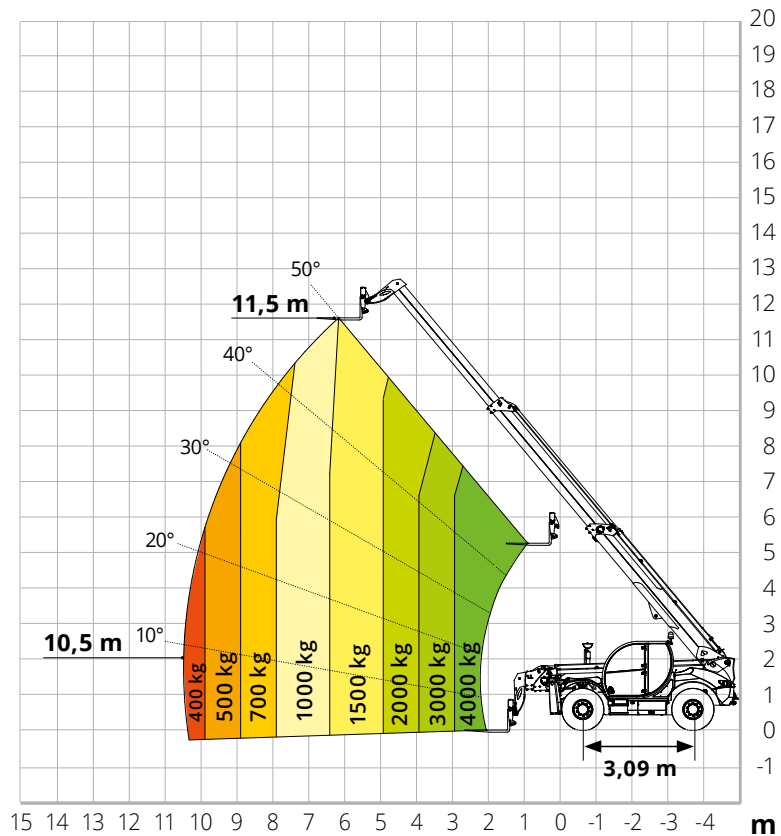
Load chart on fully extended stabilizers

PRELIMINARY



Load chart on tyres

PRELIMINARY



TH 5,5.15 P / TH 5,5.15

PRELIMINARY

Machine model	TH 5,5.15 P		TH 5,5.15	
	Telescopic handler			
Maximum lifting capacity	5.500 kg (center of gravity 600 mm)		5.500 kg (center of gravity 600 mm)	
Maximum lifting height	15,20 m		15,20 m	
Type	Deutz TCD 3,6 L4 Stage V	Deutz TCD 3,6 L4 EDG Stage IIIA	Deutz TCD 3,6 L4 Stage V	Deutz TCD 3,6 L4 EDG Stage IIIA
Rated power	74,4 kW (101,2 hp) @ 2,200 rpm		55,4 kW (75,3 hp) @ 2,200 rpm	
Maximum torque	410 Nm @ 1,600 rpm		405 Nm @ 1,300 rpm	390 Nm @ 1,300 rpm
Displacement	3,6 l		3,6 l	
Cylinders	4 in line		4 in line	
Engine configuration	Diesel direct injection turbocharged		Diesel direct injection turbocharged	
Cooling system	Water – intercooler		Water – intercooler	
Type	Hydrostatic		Hydrostatic	
Model	Bosch Rexroth		Bosch Rexroth	
Maximum pressure	500 bar		500 bar	
Displacements	Electronically controlled variable displacement pump Variable displacement motor		Electronically controlled variable displacement pump Variable displacement motor	
Gear box	Dropbox, 2 speeds forward-reverse		Dropbox, 2 speeds forward-reverse	
Type	Axles with planetary gearboxes		Axles with planetary gearboxes	
Rear axle	Oscillating and steering with hydraulic locking		Oscillating and steering with hydraulic locking	
Front axle	Oscillating and steering with levelling +/- 8°		Oscillating and steering with levelling +/- 8°	
Service brake	Hydraulically operated wet multi-disk brakes on each axle		Hydraulically operated wet multi-disk brakes on each axle	
Parking brake	Spring applied hydraulic release Multi-disk brake (S.A.H.R.)		Spring applied hydraulic release Multi-disk brake (S.A.H.R.)	
Tyres dimensions	445/65 R22,5		445/65 R22,5	
Max. travel speed	35 km/h		25km/h	
Drawbar pull	72 kN		72 kN	
Gradeability	54%		54%	
Turning radius (end of forks)	5,610 mm		5,610 mm	
Total unladen	13,500 kg (preliminary)		13,500 kg (preliminary)	
Front axle unladen (boom retracted and lowered)	5,600 kg (preliminary)		5,600 kg (preliminary)	
Rear axle unladen (boom retracted and lowered)	7,900 kg (preliminary)		7,900 kg (preliminary)	
Fuel tank	145 l		145 l	
AdBlue	10 l		10 l	
Hydraulic oil tank	90 l		90 l	
Engine oil tank	9 l		9 l	
Cooling liquid	20 l		20 l	
Max. operating system pressure	350 bar		350 bar	
Circuit type	Load sensing		Load sensing	
Service pump	Bondioli & Pavesi - Variable displacement		Bondioli & Pavesi - Variable displacement	
Controls for boom movements	Danfoss – SIL 2 Electro-proportional valve		Danfoss – Electro-proportional valve	
Controls for stabilizers	Bosch Rexroth – Electro-hydraulic actuators		Bosch Rexroth – Electro-hydraulic actuators	
Movements control	1 joystick Danfoss with FNR switch and dead man safety device - Management with CAN bus technology		1 joystick Danfoss with FNR switch and dead man safety device - Management with CAN bus technology	
Standard met	EN 1459-1: concerning standards for variable-reach trucks EN 13000: concerning standards for mobile cranes <i>Only for model TH 5,5.15 P:</i> EN 280: concerning standards for mobile elevating work platforms FOPS Level 2 / ROPS UE 2016/1628: concerning engine emissions standards			

TH 5,5.15 P / TH 5,5.15

PRELIMINARY

