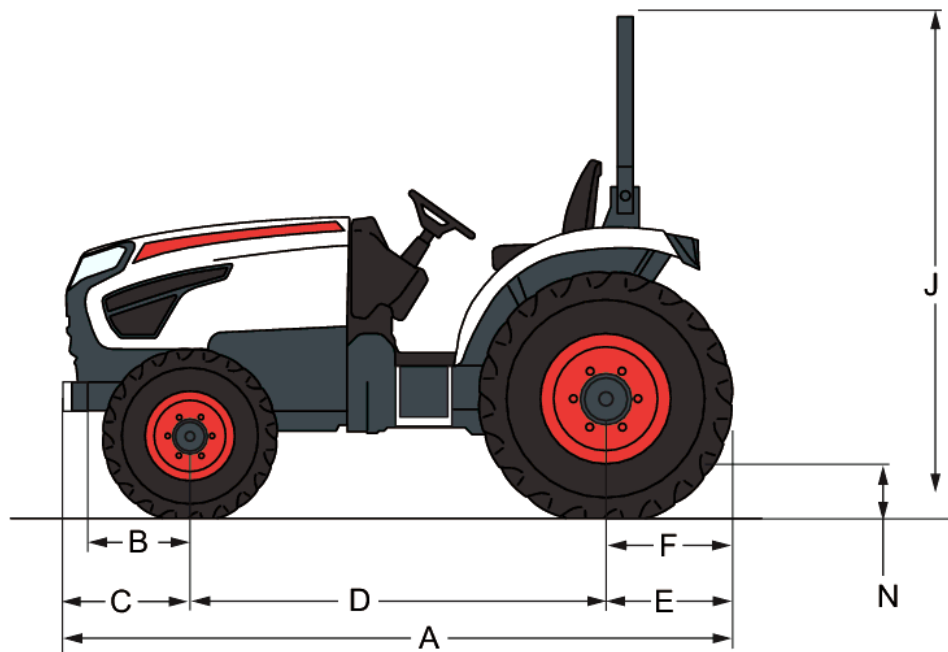
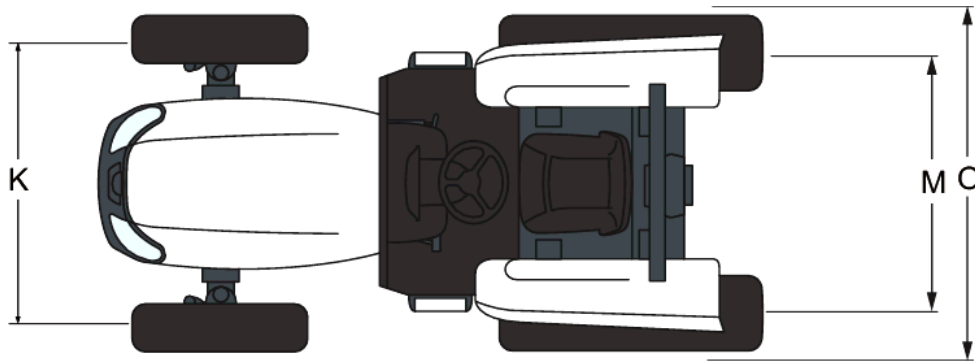


Dimensions


(A) Overall Length with Ballast Weights	3487.0 mm
(B) Front Overhang	546.0 mm
(C) Front Overhang with Ballast Support	668.0 mm
(D) Wheelbase	1670.0 mm
(E) Rear Overhang to Lower Link	812.0 mm
(F) Distance from the center of Rear Axle to Coupling Point	626.0 mm
(J) Overall height	2520.0 mm
(K) Front track width	1126.0 mm
(M) Rear track width	1102.0 mm
(N) Ground Clearance under the Rear Axle (Hitch Frame)	338.0 mm
(O) Overall Width	1385.0 mm
(Wt.) Weight with ROPS	1410 kg

Standard Features

- 4 Wheel Drive
- Tilt Steering
- Rear folding ROPS
- PTO Cover
- Stationary PTO
- Auto PTO
- Front Hitch
- 7 Pin Socket
- 12V Aux
- Beacon Ready Wiring
- Engine Hood, one piece
- Vinyl Suspension Seat, w/retractable seat belt
- Battery
- Horn
- Rear View Mirror
- Cup holder
- OPC
- Floor mat
- Toolbox

Engine

Engine type	3 cylinder, water cooled, 4 cycle, Vertical In-Line Common Rail Direct Injection (CRDI)
Fuel	Diesel
Displacement	1.80 L
Max Torque	115.0 Nm
Gross Power (ECE-R120)	34.9 HP
Net Power	32.9 HP
Rated revolution	2600.0 RPM
Alternator	12V/75A
Air Cleaner	Dry type, replaceable
Fuel tank	34.00 L

Drive Train

Transmission	Manual 12F/12R
Shuttle Type	Synchro shuttle
Max. Travelling Speed Forward	25.0 km/h
Max. Travelling Speed Reverse	24.4 km/h
Steering	Hydrostatic Power Steering
Turning radius(w/brake)	2450.0 mm
Brake type	Wet disc type
Mechanical differential lock	Rear Std.
Front wheel drive system	Manual(MEC)

Hydraulic System

Implement Pump	26.00 L/min
Power steering pump	16.90 L/min
Total hydraulic flow	42.90 L/min
No.of Std. remote valve's ports (Rear)	Std. (2 port)

Hitch

Check Link type (Manual Transmission)	Turn-buckle
Check Link type (HST Transmission)	Telescope
Top Link type	Turn-buckle
Lift rod type	Turn-buckle
@lift point (Horizontal position)	1101 (2427)
Lift capacity at lift point	1030 kg
Lift capacity at 610 mm (24 in.) behind lift point	740 kg
Drawbar type	Bar(Clevis)
Max. Drawbar vertical load	650 kg
Max. Trailer loading weight	3500 kg

PTO

Max PTO Power	31.0 HP
Rear PTO	SAE 1-3/8, 6 Spline
Rear PTO type	Independent
Rear PTO speed	540/540E RPM
Mid PTO speed (Optional):	2000.0 RPM

Capacity (Other)

Engine crankcase(included filter)	7.40 L
Coolant	3.30 L
Transmission case	22.00 L
Support of front axle	6.00 L

Tires

Agriculture Tires	Front: 7-16 R1 / Rear: 11.4-24 R1
Turf tires	Front: 27x8.5-15 R3 / Rear: 41x14.0-20 R3
Industrial Tires	Front: 25x8.5-14 R4 / Rear: 15-19.5 R4