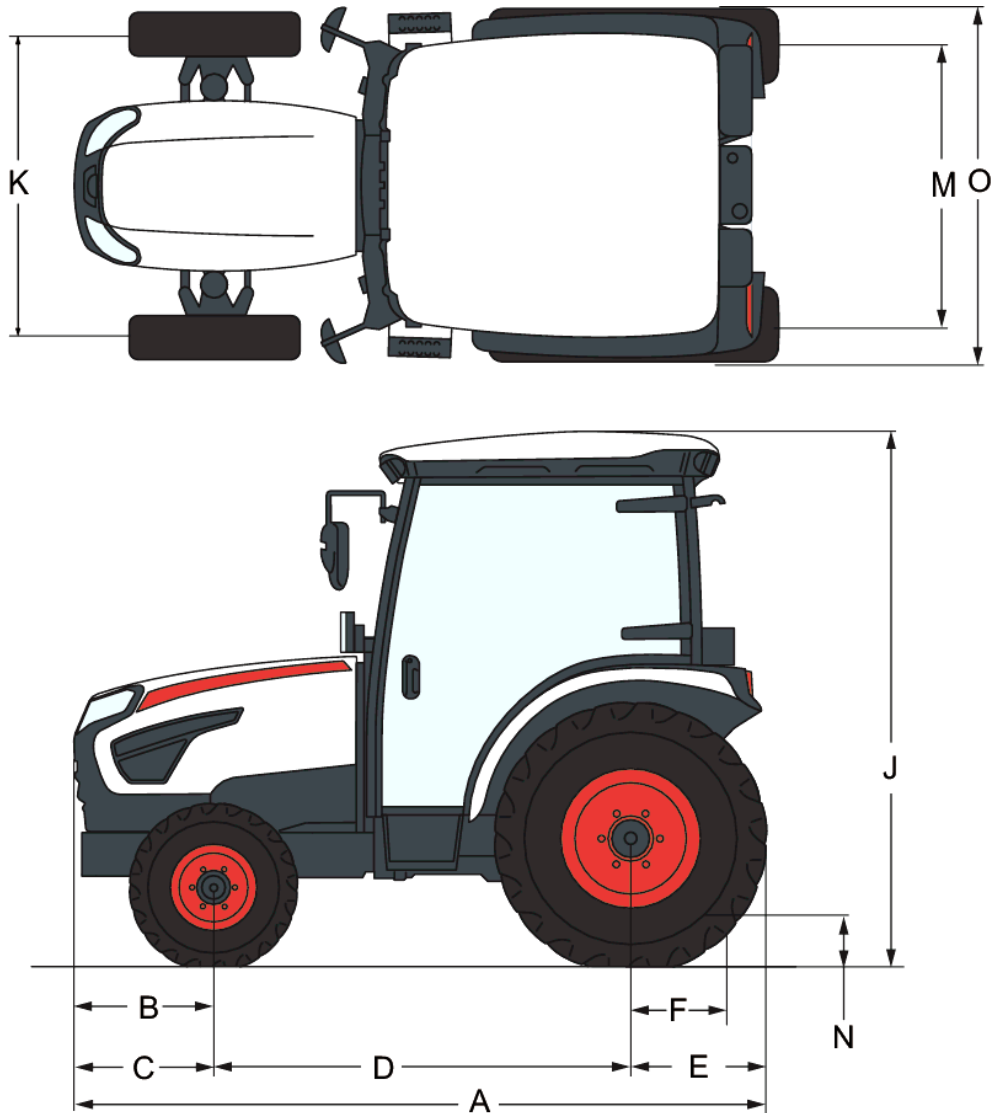


**Dimensions**


(A) Overall Length with Ballast Weights	3487.0 mm
(B) Front Overhang	546.0 mm
(C) Front Overhang with Ballast Support	668.0 mm
(D) Wheelbase	1670.0 mm
(E) Rear Overhang to Lower Link	812.0 mm
(F) Distance from the center of Rear Axle to Coupling Point	626.0 mm
(J) Overall height	2372.0 mm
(K) Front track width	1126.0 mm
(M) Rear track width	1102.0 mm
(N) Ground Clearance under the Rear Axle (Hitch Frame)	338.0 mm
(O) Overall Width	1385.0 mm
(Wt.) Weight with CABIN	1601 kg

## Standard Features

---

- 4 Wheel Drive
- Tilt Steering
- HST Cruise
- HST RPM Link
- Cabin w/HVAC, Sunvisor, Front/Rear work lights
- Rear PTO, Independent
- PTO Cover
- Stationary PTO
- Auto PTO
- Joystick Lever
- Front Hitch
- 7 Pin Socket
- 12V Aux
- Beacon Ready Wiring
- Engine Hood, one piece
- Textile Suspension Seat, w/retractable seat belt
- Battery
- Horn
- Rear View Mirror
- Cup holder
- OPC
- Floor mat
- Toolbox

## Engine

---

Engine type	3 cylinder, water cooled, 4 cycle, Indirect Injection (IDI)
Fuel	Diesel
Displacement	1.60 L
Max Torque	84.0 Nm
Gross Power (ECE-R120)	24.5 HP
Net Power	23.0 HP
Rated revolution	2400.0 RPM
Alternator	12V/75A
Air Cleaner	Dry type, replaceable
Fuel tank	34.00 L

## Drive Train

---

Transmission	HST, 3 range
Shuttle Type	Hydrostatic Drive
Max. Travelling Speed Forward	16.1 km/h
Max. Travelling Speed Reverse	11.3 km/h
Steering	Hydrostatic Power Steering
Turning radius(w/brake)	2450.0 mm
Brake type	Wet disc type
Mechanical differential lock	Rear Std.
Front wheel drive system	Manual(MEC)

## Hydraulic System

---

Implement Pump	24.00 L/min
Power steering pump	15.60 L/min
Total hydraulic flow	39.60 L/min
No.of Std. remote valve's ports (Rear)	Std. (4 port)

## Hitch

---

Check Link type (HST Transmission)	Telescope
Top Link type	Turn-buckle
Lift rod type	Turn-buckle
@lift point (Horizontal position)	1101 (2427)
Lift capacity at lift point	1030 kg
Lift capacity at 610 mm (24 in.) behind lift point	740 kg
Drawbar type	Bar(Clevis)
Max. Drawbar vertical load	650 kg
Max. Trailer loading weight	3500 kg

## PTO

---

Max PTO Power	19.0 HP
Rear PTO	SAE 1-3/8, 6 Spline
Rear PTO type	Independent
Rear PTO speed	540/540E RPM
Mid PTO speed	2000.0 RPM

## Capacity (Other)

---

Engine crankcase(included filter)	5.80 L
Coolant	3.30 L
Transmission case	22.00 L
Support of front axle	6.00 L

## Tires

---

Agriculture Tires	Front: 7-16 R1 / Rear: 11.4-24 R1
Turf tires	Front: 27x8.5-15 R3 / Rear: 41x14.0-20 R3
Industrial Tires	Front: 25x8.5-14 R4 / Rear: 15-19.5 R4